

SINCE 1908
wessels
 company

SUBMITTAL

TYPE: In-Line Air Purgers

MODELS: AP-Series
 Submittal Sheet No. B-3804

Date: 10-02

JOB _____ Unit Tag No. _____ Engineer _____ Contractor _____	Wessels Representative _____ _____ _____ Order No. _____ Date _____ Submitted By _____ Date _____ Approved By _____ Date _____
---	---

DESCRIPTION

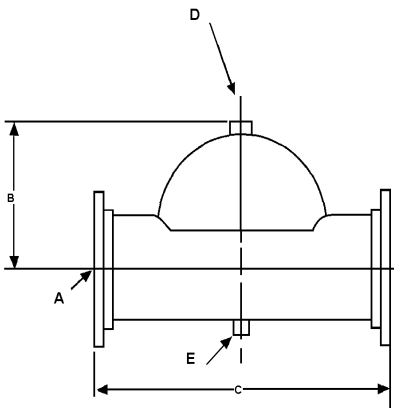
Wessels In-Line Air Purgers are used for commercial and industrial hydronic systems, to effectively control and eliminate entrained air. The purger is rated to 450°F and 150 PSI. The purger is designed with an embossed flow indicator arrow for proper installation. The purgers are fabricated to conform to ASME requirements.

CONSTRUCTION

AP-104 - Cast Iron
 ALL OTHERS FABRICATED STEEL

PERFORMANCE LIMITATIONS

Maximum Design Temperature: 450°F
 Maximum Design Pressure: 150 PSI



Model	Dimensions			Tappings		Ship
	A	B	C	D	E	Wt (lbs.)
AP-104	4"	5"	8 1/2"	3/4"	1/2"	55
AP-105	5"	7-1/2"	20"	1-1/4"	1 1/2"	60
AP-106	6"	8-1/2"	24"	1-1/4"	1 1/2"	65
AP-108	8"	11-1/4"	32"	1-1/4"	1 1/2"	110
AP-110	10"	14"	40"	1-1/4"	1 1/2"	165
AP-112	12"	16-3/4"	48"	1-1/4"	1 1/2"	315
AP-114	14"	19-3/8"	56"	1-1/4"	1 1/2"	475
AP-116	16"	20"	48"	1-1/4"	1 1/2"	315
AP-118	18"	23-1/2"	72"	1-1/4"	1 1/2"	545
AP-124	24"	33-3/4"	96"	1-1/4"	1 1/2"	1368

TYPICAL SPECIFICATION

Furnish and install as shown on plans, an in-line type air purger Model AP-_____, equipped with integral flow baffle, as manufactured by Wessels Company. The air purger shall be designed in accordance with the latest revisions of the ASME Code for Boilers and Pressure Vessels, Section VIII, Division 1, and shall be constructed for 150 PSI working pressure @ 450°F. Each air purger shall be Wessels AP-_____ or approved equal.